

15VDC or 24VDC POE and 9VDC or 12VDC UPS



MODEL: **ROUTER UPS-30-POE**



## USER MANUAL

*Please read and save this manual!*

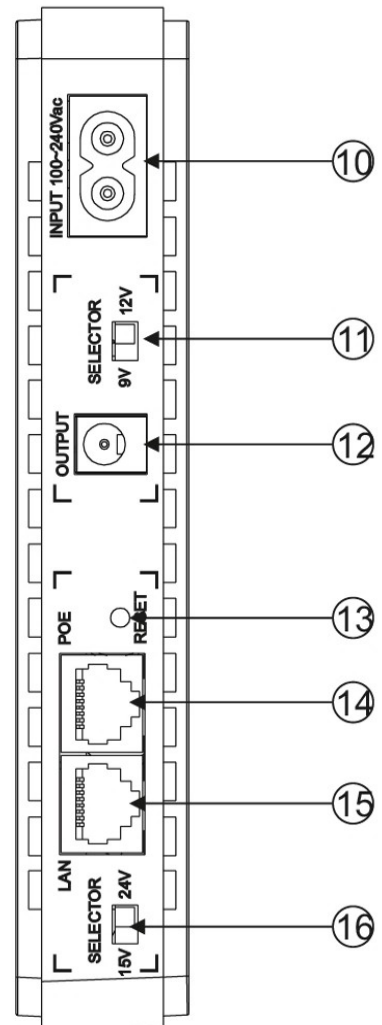
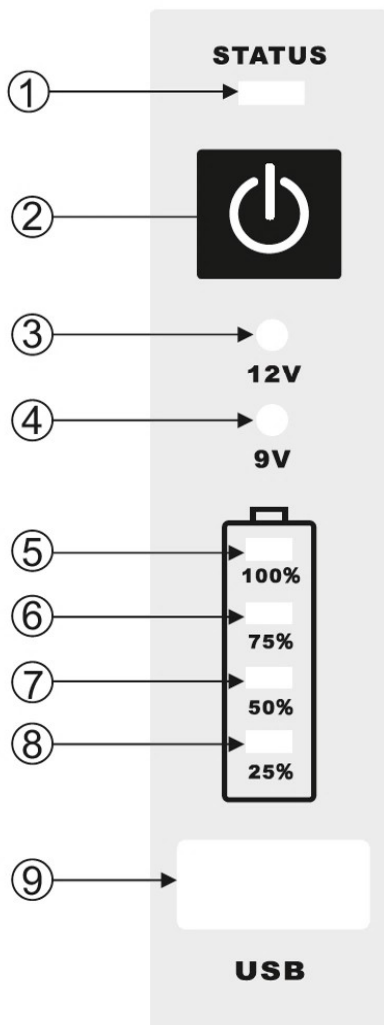
*Please read this document before using  
the equipment and save it for future reference.*

# 1. PACKAGE

- 1) Router UPS-30-POE
- 2) AC input wire
- 3) DC output cables (2 ends)
- 4) User manual

# 2. FRONT AND REAR PANEL DESCRIPTION

- 1) Status LED indicator
- 2) Power ON/OFF Switch
- 3) 12VDC output LED Indicator
- 4) 9VDC output LED indicator
- 5) Battery capacity LED indicator -> 100%
- 6) Battery capacity LED indicator -> 75%
- 7) Battery capacity LED indicator -> 50%
- 8) Battery capacity LED indicator -> 25%
- 9) 5VDC USB socket
- 10) AC input socket
- 11) DC Output Selector Switch 9VDC/12VDC
- 12) 9VDC/12VDC output socket
- 13) Reset Button for POE Devices
- 14) Ethernet interface POE output: 15VDC / 24VDC
- 15) Ethernet interface LAN
- 16) DC POE Output Selector 15VDC/24VDC



### 3. FEATURES

- 1) High capacity lithium batteries provides long backup to the loads
- 2) High compatibility: suitable for many digital devices on market
- 3) USB output for charging digital devices like mobile phones, PDA, PSP, IPOD, MP4, etc.
- 4) POE (Power Over Ethernet) for transmit data and supply via the same connector
- 5) Protections: Overcharge, Overdischarge, Short-circuit
- 6) Universal input AC range 90-264VAC

### 4. APPLICATIONS




## 5. INSTRUCTION OF USE



1. In order to prevent batteries over discharge, please restart UPS when AC power is available after activation battery cut-off protection.
2. Before connecting loads to the UPS, please check rated parameters of these loads like voltage, current and polarity.
3. The overload protection is detected by total output power. Total power of the loads connected to all outputs cannot exceed the maximum output power of UPS. Otherwise USB port(9) will be cut off and Status LED indicator(3) will be flashing in yellow color. If power of the loads still exceeds maximum output power of UPS all other outputs will be cut off and all LEDs will be flashing. To get back to normal operation please remove overload.
4. To turn on the UPS please press and hold power ON/OFF switch for 2-3 seconds(2). Output voltage can be chosen between 9VDC and 12VDC by DC Output Selector Switch(11). POE voltage can be chosen between 15VDC and 24VDC by DC POE selector switch(16). After turning on UPS in AC mode status LED indicator becomes green for charging. In the process of charging, the battery capacity LED indicates the capacity of the battery by 25%, 50%, 75% and 100%(5 to 8) increasingly, 100% means fully charged batteries. In battery mode (when AC input fails) status LED indicator becomes red and battery capacity LED indicator will turn off one by one from 100%(5), 75%(6), 50%(7) to 25%(8). When LED indicator 25% is flashing it means the battery capacity is very low, please press and hold power ON/OFF switch for 2-3 seconds to turn off the UPS.
5. Plug-and-play USB output provides stable charging to the digital devices with their original cables.
6. UPS shut down automatically when battery is low, it will recover to normal operation when AC input recovers.
7. If UPS is not used for a long time, please keep fully charged batteries and let it stay in a cool place. If the storage time is too long to turn on, please connect AC supply for charging batteries till status LED indicator will become light on green color. It's recommended to charge battery once per month.

## 6. SPECIFICATION

Model	Router UPS-30-POE		
Combined Output Power (max.)	30W		
Output	USB	DC	POE
Output voltage	5VDC	9VDC / 12VDC	15VDC / 24VDC
Polarity of outputs			V+: PIN4, PIN5 V-: PIN7, PIN8
Current / Power of outputs	2A / 10W	2A(9V18W)or (12V24W)	1A(15.8V16W)or (24V24W)
Battery	Li-ion 2200mAh x 4pcs.		
Dimensions	160*105*28mm		
Net weight	0.4kg		
Input Voltage Range	100-240VAC / 50-60Hz		

### Warning

1. Check the voltage, current and polarity of the loads before connecting to the UPS.
2. Please fully charge batteries before first use.
3. Dropping, hitting, disassembling and repairing are forbidden.
4. Do not put UPS into water or make it wet.
5. Do not expose UPS on fire or or direct sunlight or heating it.
6. Do not use UPS in any flammable environments.
7. Do not put UPS in a place where children can reach.

